



AUG 30TH | ALLEN

OM471 BULLETIN READINESS

310165 # 916455-5001Y

Garrett
ADVANCING MOTION

OM471 : Mercedes Benz 12.8L

GTX offering P/N : 916455-5001Y

Competitor : BWTS

Competitor P/N : 13879880047

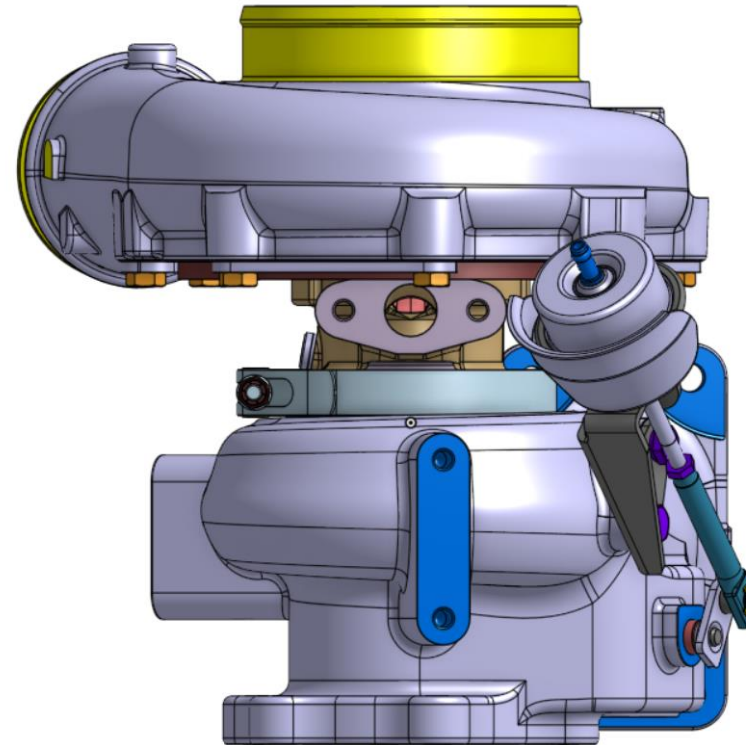
: 13879880101

Engine displacement : 12.8L

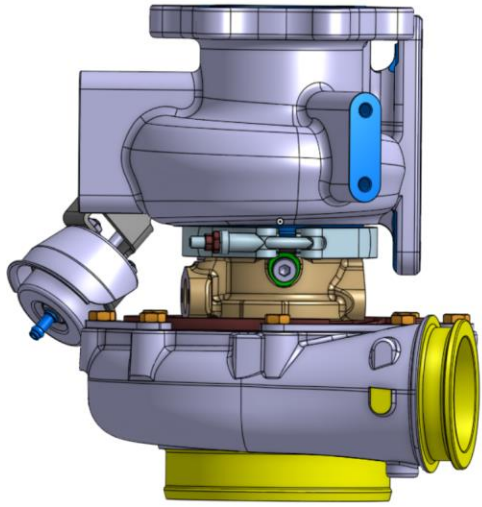
Platform : GT42 S

Actuation : WG control

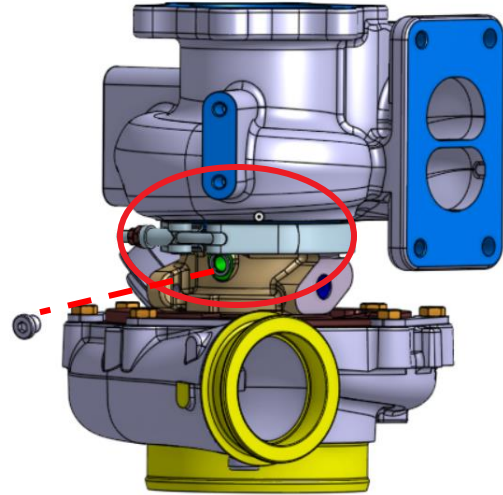
Emissions : Euro 5/6



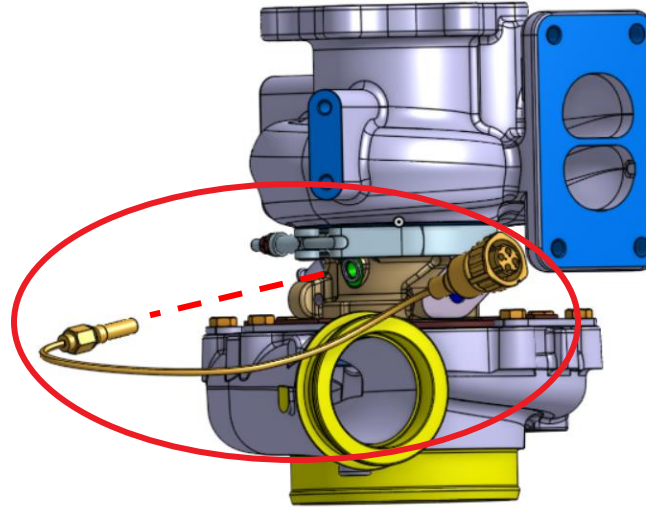
GTX offering and installation the speed sensor



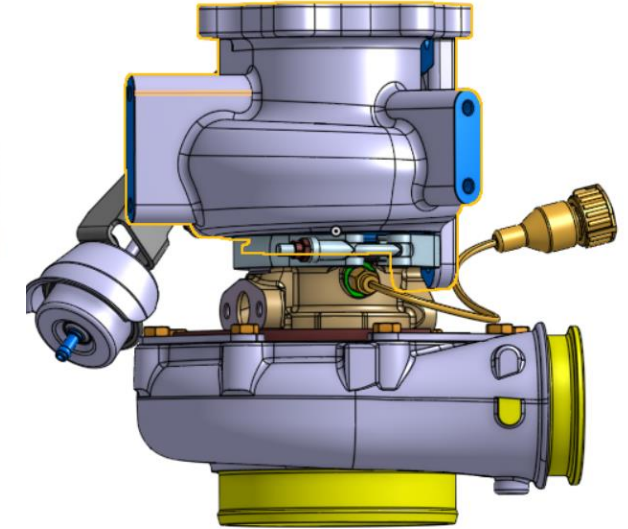
STEP 1
Receive GTX turbocharger
from Box w/o sensor



STEP 2
Remove the plug from
CHRA as above

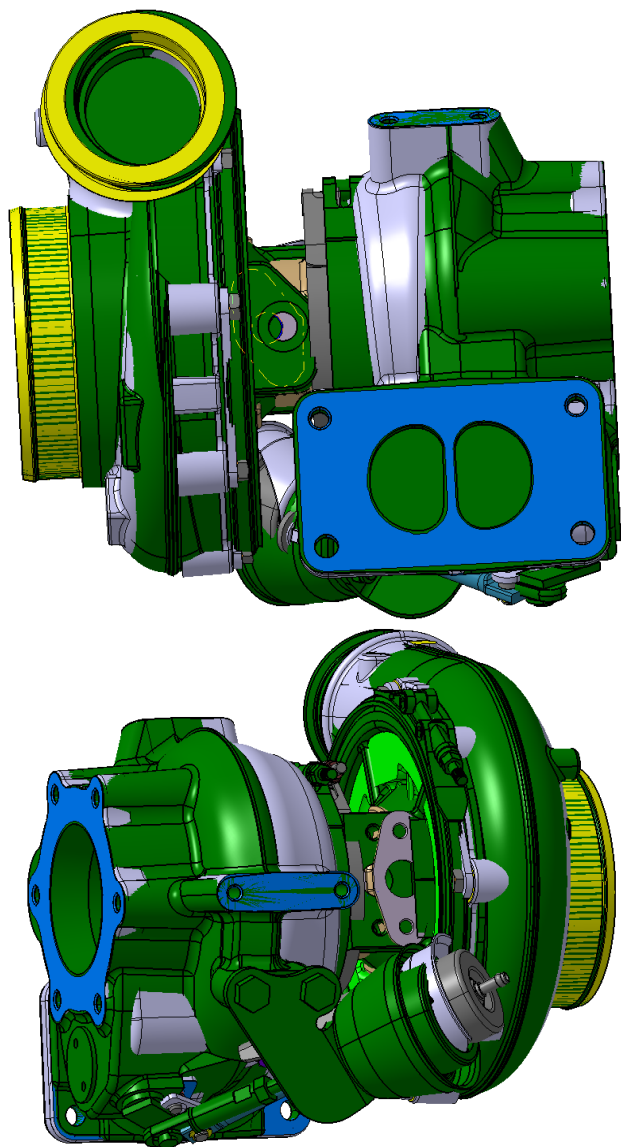


STEP 3
Install the sensor from
Original turbocharger

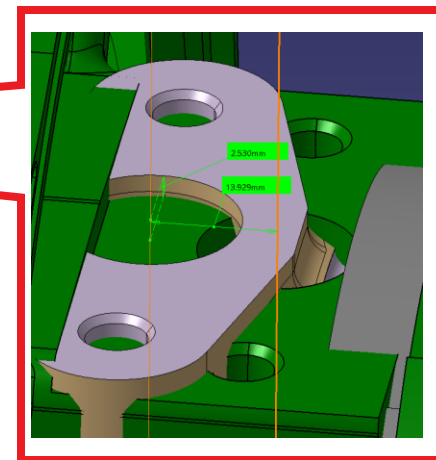
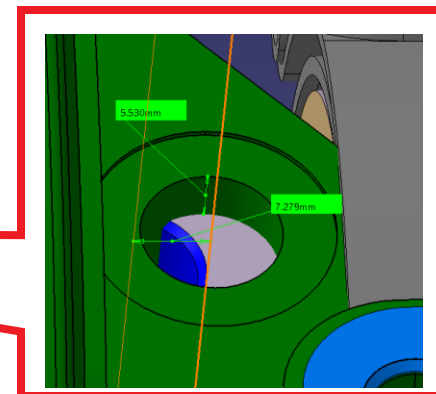
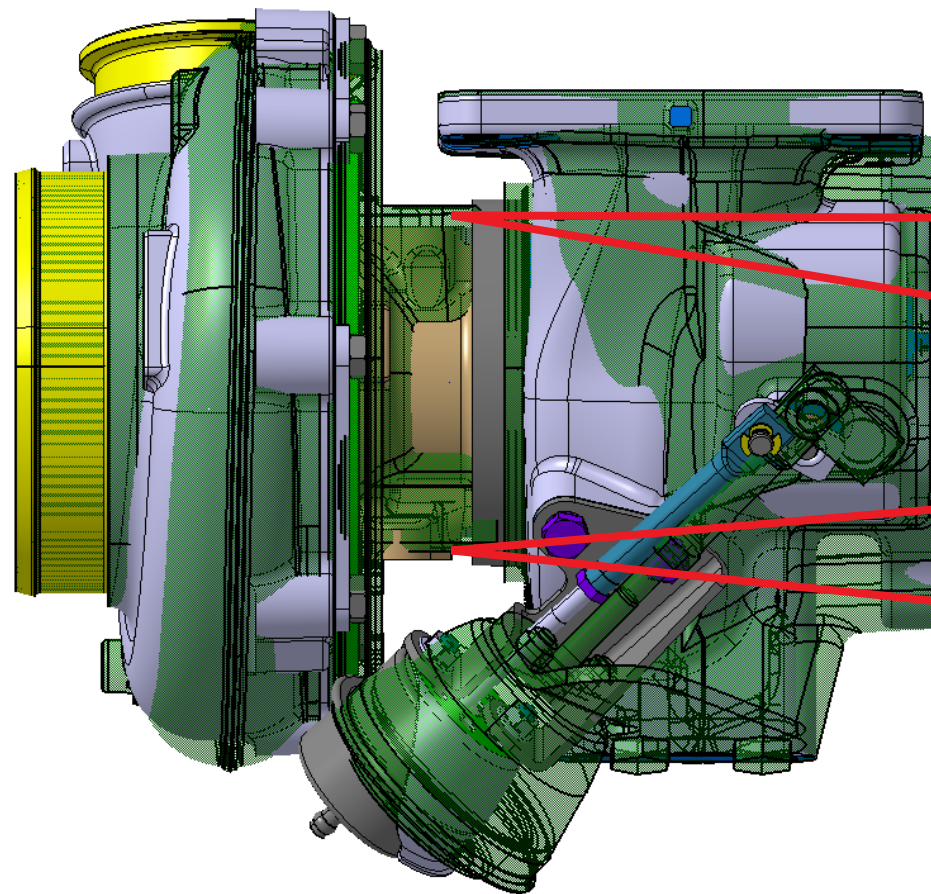


STEP 4
1. Torque the sensor
2. Confirm if sensor is working

After STEP 4 , turbocharger ready to be installed on vehicle

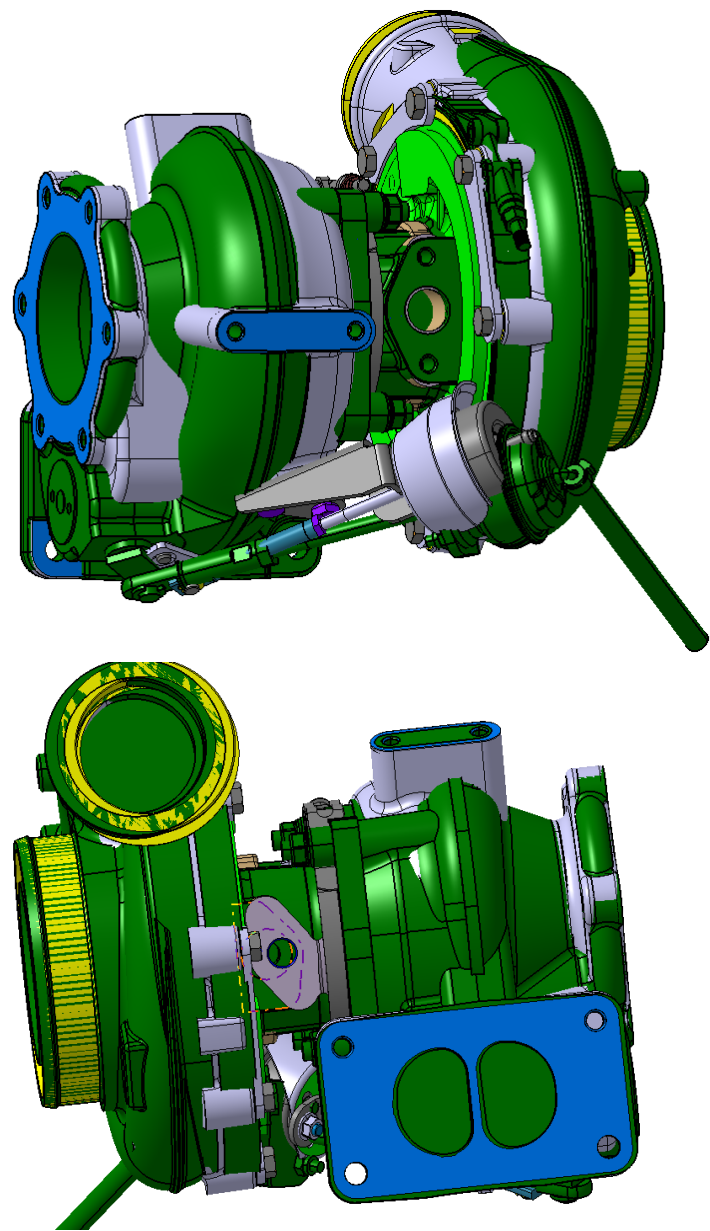


Oil Inlet

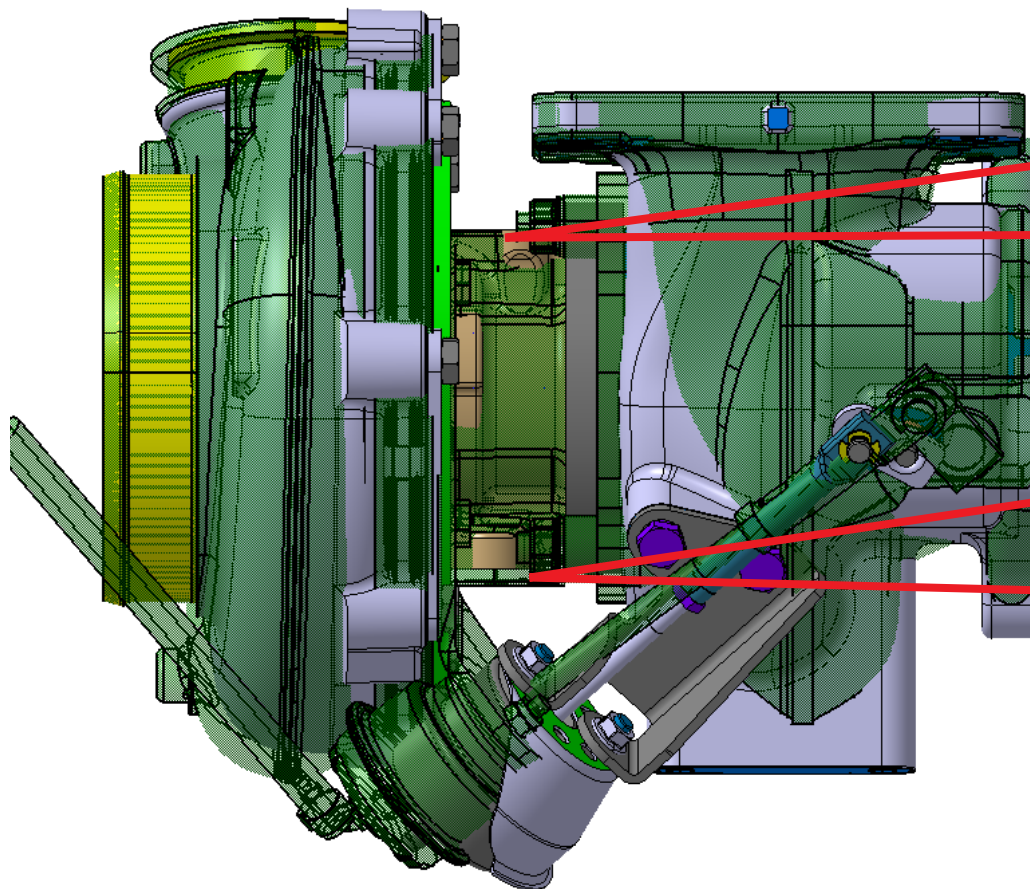


Oil Outlet

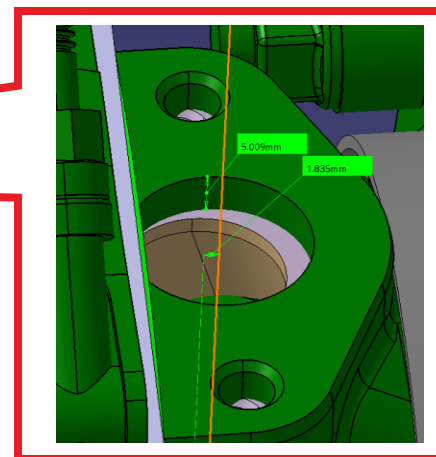
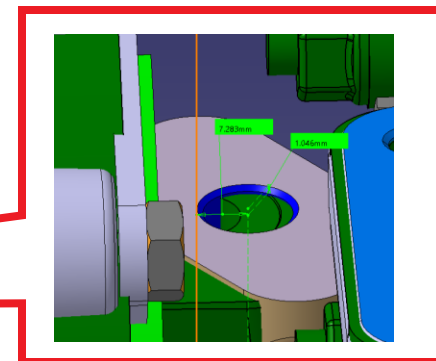
- 916455-0001
- BW 13839980047



Oil Inlet



Oil Outlet



- 916455-0001
- BW 13839980101